

UNIT: mm

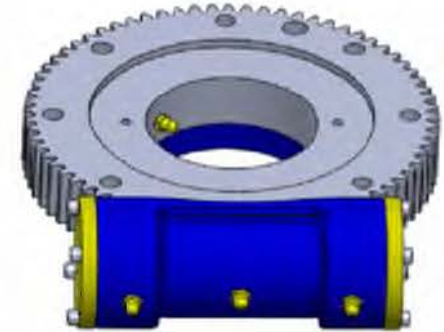
TYPE	A	B	C	D	E
12M	12 <sup>+0.005</sup> <sub>-0.005</sub>	4 <sup>+0.005</sup> <sub>-0.005</sub>	13.8 <sup>+0.2</sup> <sub>-0.2</sub>	25.5	6.75

DESIGNED BY							
CHECKED BY							
APPROVED BY							
ALL PROPRIETARY RIGHTS IN THE SUBJECT MATTER HEREOF ARE RESERVED, AND NO PERMISSION IS GRANTED TO REPRODUCE THIS PRINT IN WHOLE OR IN PART, OR TO DISCLOSE ANY OF THE INFORMATION TO OTHERS.					WEIGHT	SCALE	<b>7" SLEWING DRIVE</b>
					18Kg	NTS	
SYMBOL ISO	SIZE	A3	SHEET	1/1	<b>S7C-73(M)-R(C)</b>		REV
	THE TOLERANCE NOT MENTIONED IS REFERRED TO ISO 2768-M, CASTING TOLERANCE ISO 8062-CT10						

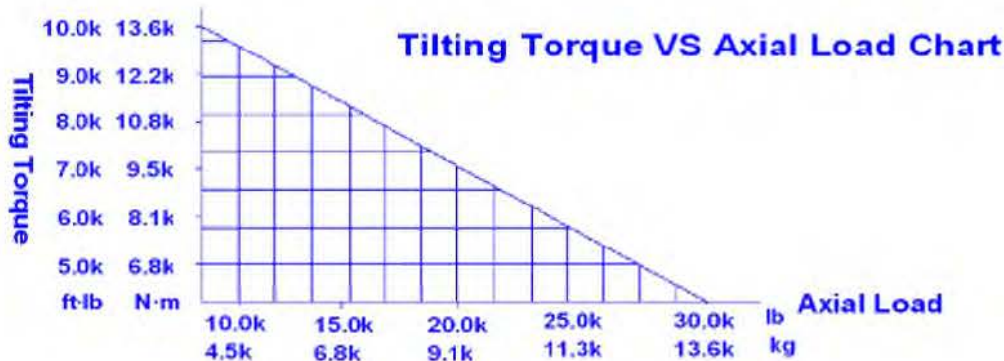
## SLEWING DRIVES PERFORMANCE DATA

**Model Code : S7C-73(M)-R(C)**

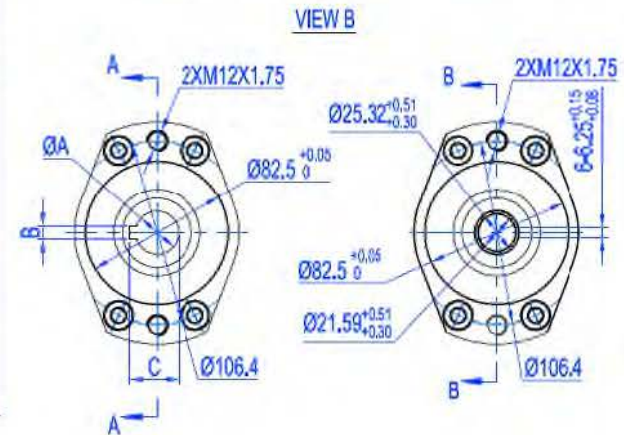
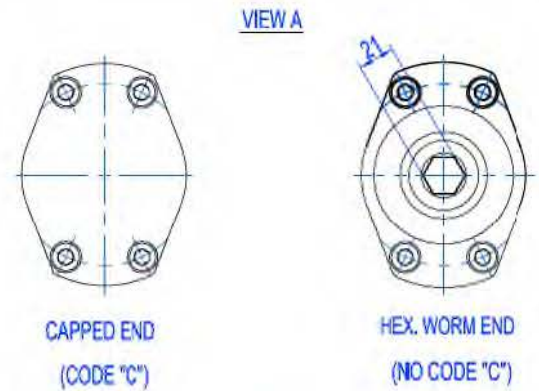
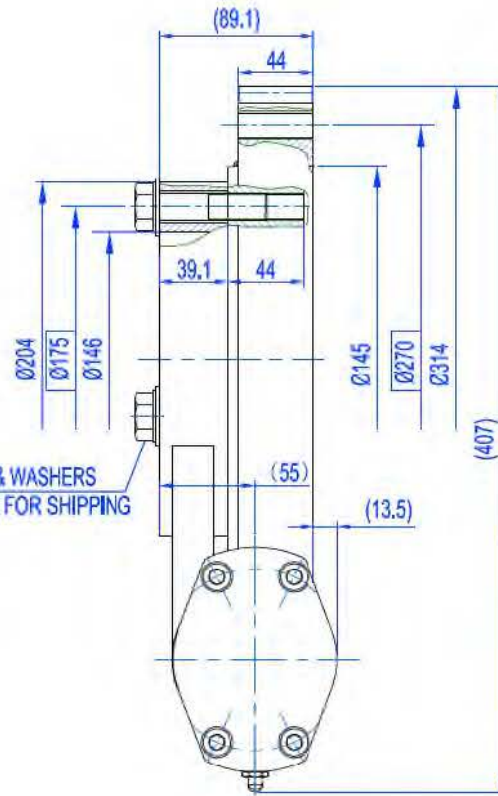
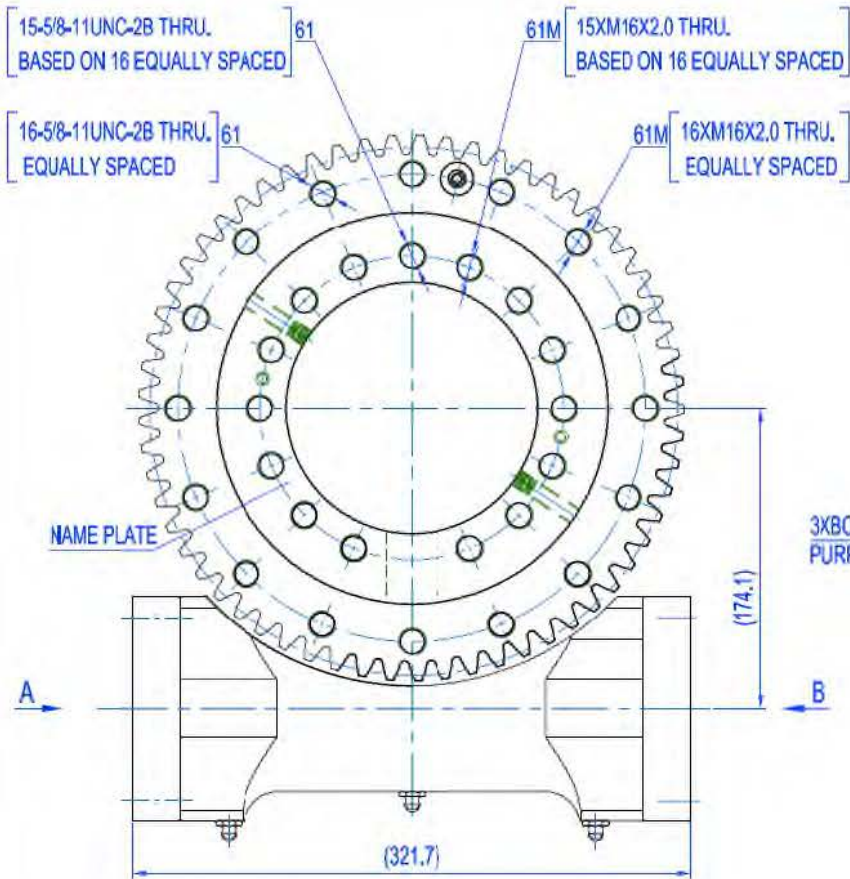
Slewing Drive Ratio	73:1
Rotating Output Rated Speed	-
Efficiency	30%
International Protection (IP)	55
Motor Temperature	-
Worm Drive Temperature	- 20°C to +120°C
Traceability	CEDS
Torsion Stiffness	762 Nm/mRad
Bending Stiffness	1083Nm/mRad



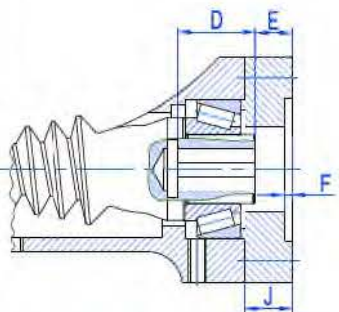
Slewing Drive Loading Data	HC Type				HB Type				HQ Type				HA Type			
		N-m	ft-lb		N-m	ft-lb	N-m	ft-lb	N-m	ft-lb	N-m	ft-lb	N-m	ft-lb		
Normal Output Torque	1,005		741		1,206		890		1,608		1,186		2,010		1,483	
Max. Output Torque(3 sec.)	2,010		1,483		2,412		1,779		3,216		2,372		4,020		2,965	
Backwards Holding Torque	10,338		7,625		10,338		7,625		10,338		7,625		10,338		7,625	
Tilting Torque	13,556		9,999		13,556		9,999		13,556		9,999		13,556		9,999	
Static Radial Rating	53.28		11,977		53.28		11,977		53.28		11,977		53.28		11,977	
Static Axial Rating	133.20		29,943		133.20		29,943		133.20		29,943		133.20		29,943	
Dynamic Radial Rating	27.91		6,274		27.91		6,274		27.91		6,274		27.91		6,274	
Dynamic Axial Rating	31.90		7,171		31.90		7,171		31.90		7,171		31.90		7,171	



DESIGNED BY						<b>7" SLEWING DRIVE</b>	<b>S7C-73(M)-R(C)</b>	REV <b>A</b>
CHECKED BY								
APPROVED BY								
ALL PROPRIETARY RIGHTS IN THE SUBJECT MATTER HEREOF ARE RESERVED, AND NO PERMISSION IS GRANTED TO REPRODUCE THIS PRINT IN WHOLE OR IN PART, OR TO DISCLOSE ANY OF THE INFORMATION TO OTHERS.					WEIGHT	SCALE		
						NTS		
					SHEET	1/1		
SYMBOLS ISO		SIZE	A4					

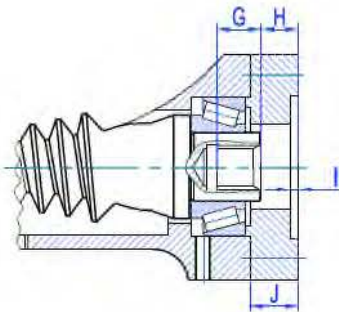


Section A-A



TYPE: 12M,20M,25M

Section B-B



TYPE: B

UNIT: mm

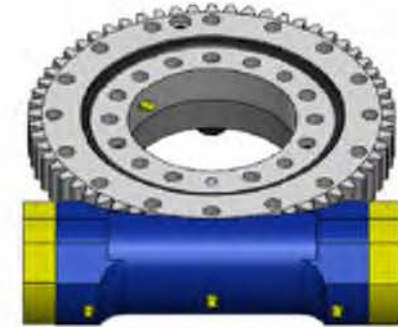
TYPE	A	B	C	D	E	F	G	H	I	J
12M	12 <sup>+0.06</sup> <sub>0</sub>	4 <sup>+0.06</sup> <sub>0</sub>	13.8 <sup>+0.06</sup> <sub>0</sub>	23	-3	4.5				27.5
20M	20 <sup>+0.06</sup> <sub>0</sub>	6 <sup>+0.06</sup> <sub>0</sub>	22.8 <sup>+0.06</sup> <sub>0</sub>	30	12	4.5				27.5
25M	25 <sup>+0.06</sup> <sub>0</sub>	8 <sup>+0.06</sup> <sub>0</sub>	28.3 <sup>+0.06</sup> <sub>0</sub>	45	21.2	4.5				27.5
B							25.4	21.2	4.5	27.5

DESIGNED BY							
CHECKED BY							
APPROVED BY							
ALL PROPRIETARY RIGHTS IN THE SUBJECT MATTER HEREOF ARE RESERVED, AND NO PERMISSION IS GRANTED TO REPRODUCE THIS PRINT IN WHOLE OR IN PART, OR TO DISCLOSE ANY OF THE INFORMATION TO OTHERS.					WEIGHT	SCALE	<b>9" SLEWING DRIVE</b>
					38Kg	NTS	
SYMBOL ISO	SIZE	A3	SHEET	1/1	<b>S9B-61(M)-R(C)</b>		REV
	THE TOLERANCE NOT MENTIONED IS REFERRED TO: ISO 2768-1-CASTING TOLERANCE ISO 10062-1-T10						<b>A</b>

## SLEWING DRIVES PERFORMANCE DATA

Model Code : S9B-61(M)-R(C)

Slewing Drive Ratio	61:1
Rotating Output Rated Speed	-
Efficiency	43%
International Protection (IP)	55
Motor Temperature	-
Worm Drive Temperature	- 20°C to +120°C
Traceability	CEDS
Torsion Stiffness	1,444Nm/mRad
Bending Stiffness	1,701Nm/mRad



Slewing Drive Loading Data	HC Type				HB Type				HQ Type				HA Type			
Normal Output Torque	2,240	N·m	1,652	ft·lb	2,688	N·m	1,983	ft·lb	3,584	N·m	2,644	ft·lb	4,480	N·m	3,304	ft·lb
Max. Output Torque(3 sec.)	4,480	N·m	3,304	ft·lb	5,376	N·m	3,965	ft·lb	7,168	N·m	5,287	ft·lb	8,960	N·m	6,609	ft·lb
Backwards Holding Torque	38,710	N·m	28,552	ft·lb	38,710	N·m	28,552	ft·lb	38,710	N·m	28,552	ft·lb	38,710	N·m	28,552	ft·lb
Tilting Torque	33,900	N·m	25,005	ft·lb	33,900	N·m	25,005	ft·lb	33,900	N·m	25,005	ft·lb	33,900	N·m	25,005	ft·lb
Static Radial Rating	134.98	KN	30,344	lb	134.98	KN	30,344	lb	134.98	KN	30,344	lb	134.98	KN	30,344	lb
Static Axial Rating	337.44	kN	75,857	lb	337.44	kN	75,857	lb	337.44	kN	75,857	lb	337.44	kN	75,857	lb
Dynamic Radial Rating	70.86	KN	15,929	lb	70.86	KN	15,929	lb	70.86	KN	15,929	lb	70.86	KN	15,929	lb
Dynamic Axial Rating	80.99	kN	18,207	lb	80.99	kN	18,207	lb	80.99	kN	18,207	lb	80.99	kN	18,207	lb



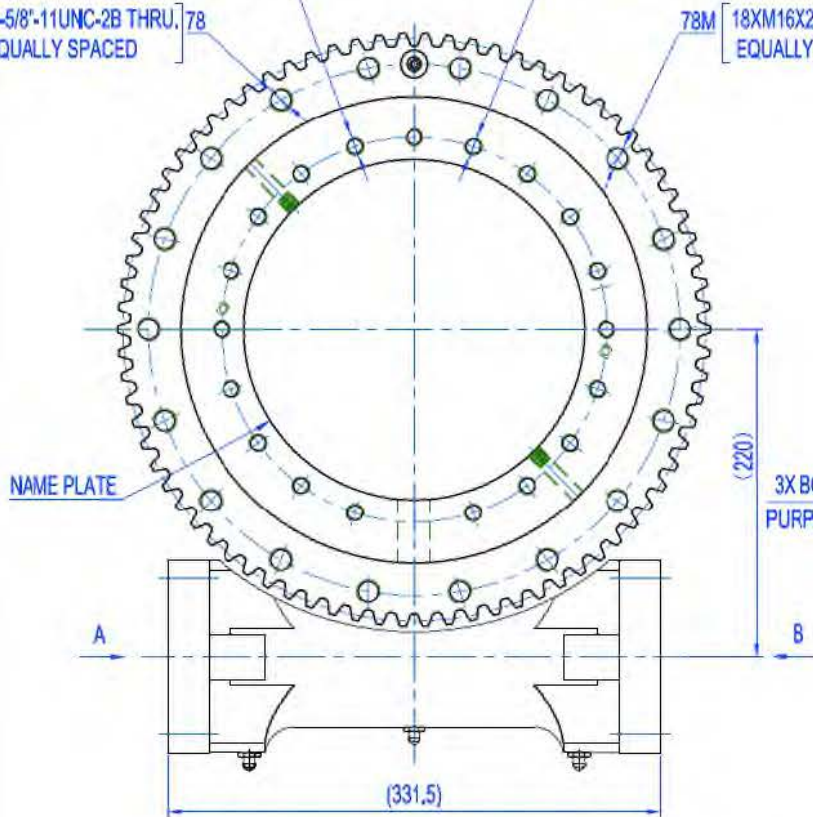
DESIGNED BY					<b>9" SLEWING DRIVE</b>
CHECKED BY					
APPROVED BY					
ALL PROPRIETARY RIGHTS IN THE SUBJECT MATTER HEREOF ARE RESERVED, AND NO PERMISSION IS GRANTED TO REPRODUCE THIS PRINT IN WHOLE OR IN PART, OR TO DISCLOSE ANY OF THE INFORMATION TO OTHERS.				WEIGHT	SCALE
				38Kg	NTS
SYMBOL ISO	SIZE	A4	SHEET	1/1	<b>S9B-61(M)-R(C)</b>

19-5/8"-11UNC-2B THRU. BASED ON 20 EQUALLY SPACED 78M

18-5/8"-11UNC-2B THRU. EQUALLY SPACED 78

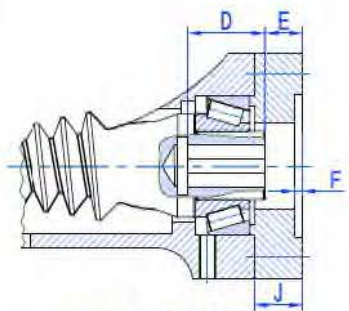
19XM16X2.0 THRU. BASED ON 20 EQUALLY SPACED 78M

18XM16X2.0 THRU. EQUALLY SPACED 78M

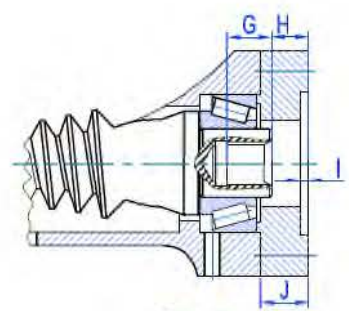


Section A-A

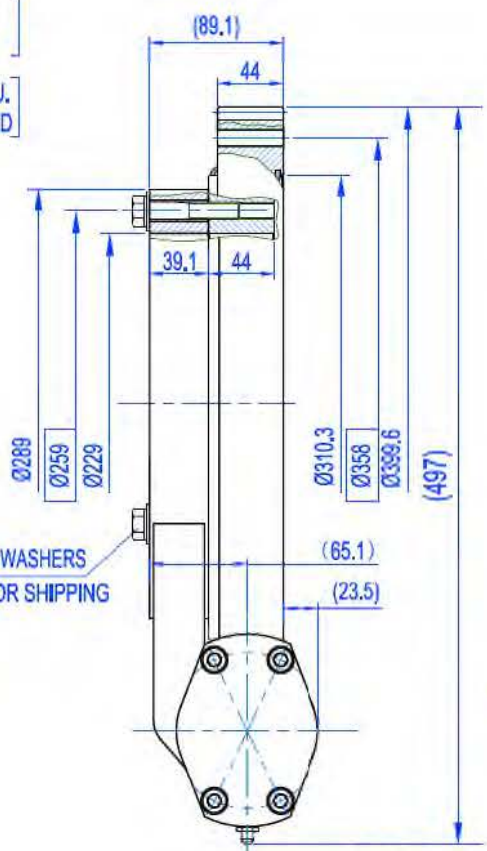
Section B-B



TYPE: 12M,20M,25M

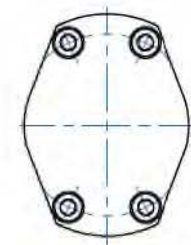


TYPE: B

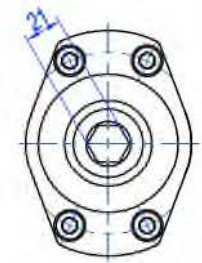


3X BOLTS & WASHERS PURPOSE FOR SHIPPING

VIEW A

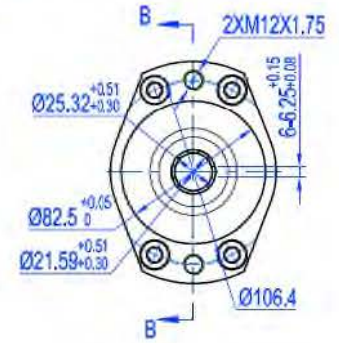


CAPPED END (CODE "C")



HEX. WORM END (NO CODE "C")

VIEW B



UNIT: mm

TYPE	A	B	C	D	E	F	G	H	I	J
12M	12 <sup>+0.05</sup>	4 <sup>+0.05</sup>	13.8 <sup>+0.1</sup>	23	-3	4.5				27.5
20M	20 <sup>+0.05</sup>	6 <sup>+0.05</sup>	22.8 <sup>+0.1</sup>	30	12	4.5				27.5
25M	25 <sup>+0.05</sup>	8 <sup>+0.05</sup>	28.3 <sup>+0.1</sup>	45	21.2	4.5				27.5
B							25.4	21.2	4.5	27.5

DESIGNED BY  
CHECKED BY  
APPROVED BY

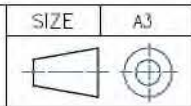


ALL PROPRIETARY RIGHTS IN THE SUBJECT MATTER HEREOF ARE RESERVED, AND NO PERMISSION IS GRANTED TO REPRODUCE THIS PRINT IN WHOLE OR IN PART, OR TO DISCLOSE ANY OF THE INFORMATION TO OTHERS.

WEIGHT 47Kg  
SCALE NTS

12" SLEWING DRIVE

SYMBOL ISO



SHEET 1/1  
THE TOLERANCE NOT MENTIONED IS REFERRED TO ISO 2768-1/CASTING TOLERANCE ISO 8062-1/10

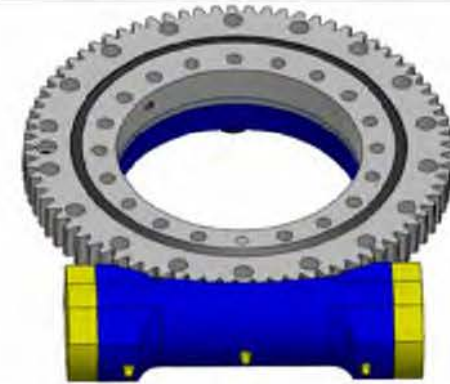
S12B-78(M)-R(C)

REV A

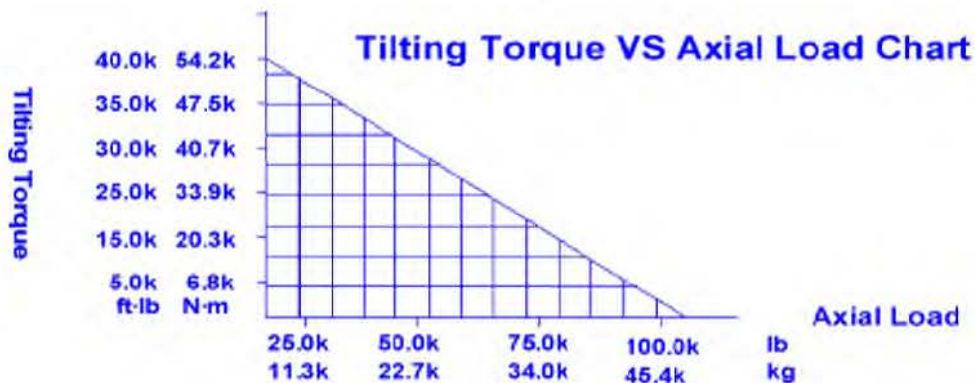
# SLEWING DRIVES PERFORMANCE DATA

Model Code : S12B-78(M)-R(C)

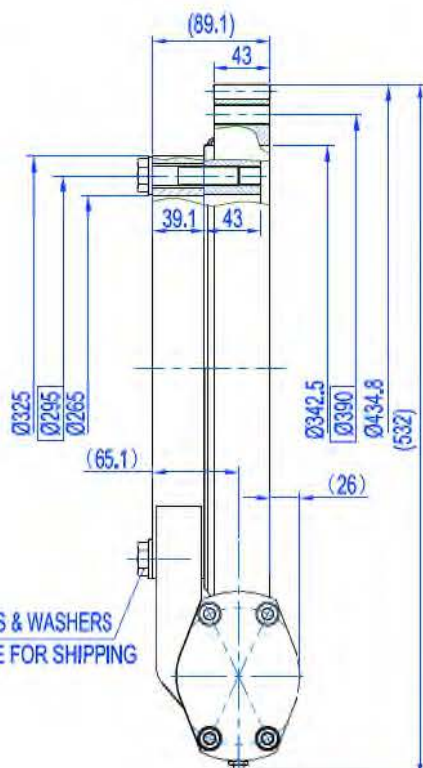
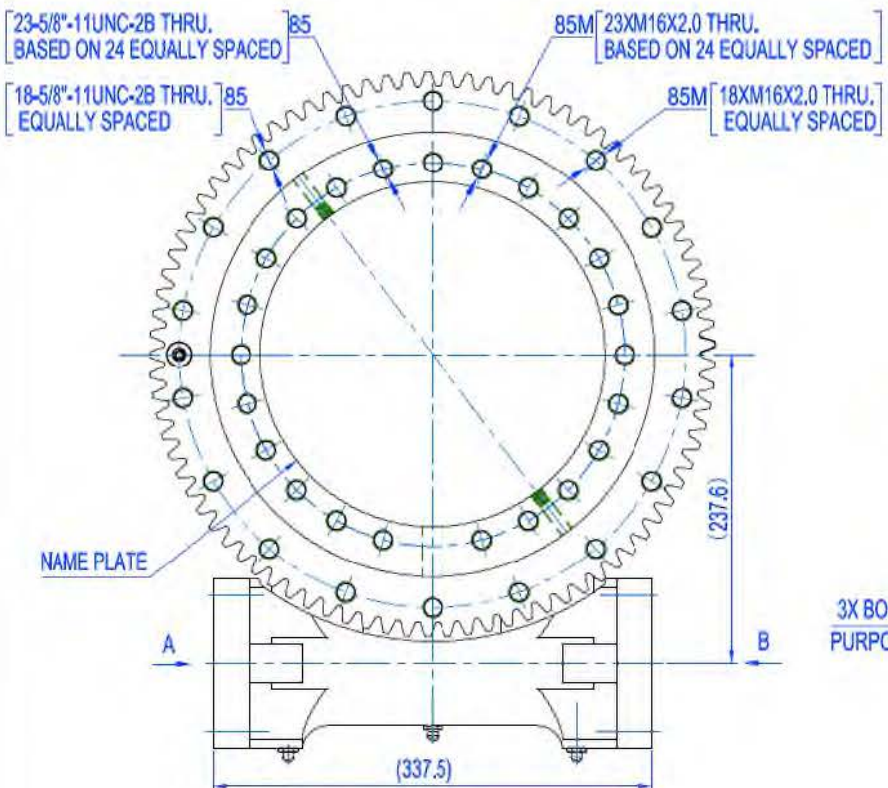
Slewing Drive Ratio	78:1
Rotating Output Rated Speed	-
Efficiency	43%
International Protection (IP)	55
Motor Temperature	-
Worm Drive Temperature	- 20°C to + 120°C
Traceability	CEDS
Torsion Stiffness	1,925Nm/mRad
Bending Stiffness	2,218Nm/mRad



Slewing Drive Loading Data	HC Type				HB Type				HQ Type				HA Type			
Normal Output Torque	2,898	N·m	2,137	ft·lb	3,477	N·m	2,566	ft·lb	4,636	N·m	3,420	ft·lb	5,796	N·m	4,274	ft·lb
Max. Output Torque(3 sec.)	5,796	N·m	4,274	ft·lb	6,954	N·m	5,129	ft·lb	9,272	N·m	6,839	ft·lb	11,590	N·m	8,549	ft·lb
Backwards Holding Torque	43,000	N·m	31,717	ft·lb	43,000	N·m	31,717	ft·lb	43,000	N·m	31,717	ft·lb	43,000	N·m	31,717	ft·lb
Tilting Torque	54,240	N·m	40,007	ft·lb	54,240	N·m	40,007	ft·lb	54,240	N·m	40,007	ft·lb	54,240	N·m	40,007	ft·lb
Static Radial Rating	190.30	KN	42,779	lb	190.30	KN	42,779	lb	190.30	KN	42,779	lb	190.30	KN	42,779	lb
Static Axial Rating	475.08	kN	106,798	lb	475.08	kN	106,798	lb	475.08	kN	106,798	lb	475.08	kN	106,798	lb
Dynamic Radial Rating	99.77	KN	22,428	lb	99.77	KN	22,428	lb	99.77	KN	22,428	lb	99.77	KN	22,428	lb
Dynamic Axial Rating	114.02	kN	25,632	lb	114.02	kN	25,632	lb	114.02	kN	25,632	lb	114.02	kN	25,632	lb

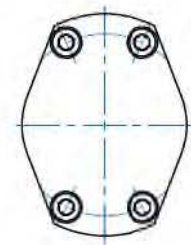


DESIGNED BY						
CHECKED BY						
APPROVED BY						
ALL PROPRIETARY RIGHTS IN THE SUBJECT MATTER HEREOF ARE RESERVED, AND NO PERMISSION IS GRANTED TO REPRODUCE THIS PRINT IN WHOLE OR IN PART, OR TO DISCLOSE ANY OF THE INFORMATION TO OTHERS.		WEIGHT	SCALE	<b>12" SLEWING DRIVE</b>		
			NTS			
SYMBOLS ISO	SIZE	A4	SHEET	1/1	<b>S12B-78(M)-R(C)</b>	REV
						<b>A</b>



3X BOLTS & WASHERS  
PURPOSE FOR SHIPPING

VIEW A

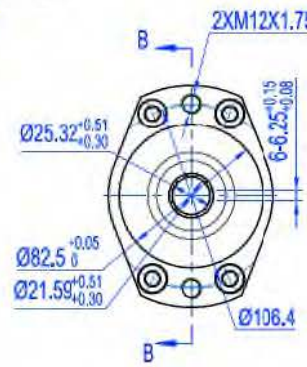
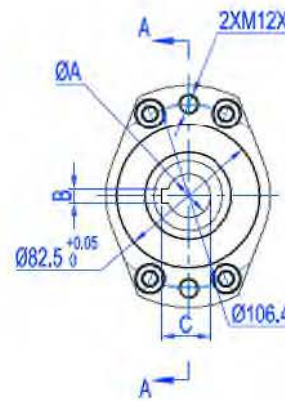


CAPPED END  
(CODE "C")

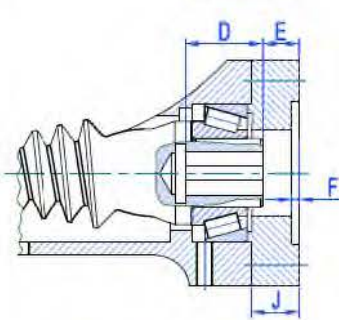


HEX. WORM END  
(NO CODE "C")

VIEW B

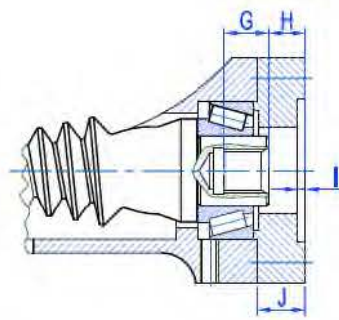


Section A-A



TYPE: 12M,20M,25M

Section B-B



TYPE: B

UNIT: mm

TYPE	A	B	C	D	E	F	G	H	I	J
12M	12 <sup>+0.015</sup> <sub>0</sub>	4 <sup>+0.008</sup> <sub>0</sub>	13.8 <sup>+0.05</sup> <sub>0</sub>	23	-3	4.5				27.5
20M	20 <sup>+0.020</sup> <sub>0</sub>	6 <sup>+0.012</sup> <sub>0</sub>	22.8 <sup>+0.05</sup> <sub>0</sub>	30	12	4.5				27.5
25M	25 <sup>+0.025</sup> <sub>0</sub>	8 <sup>+0.015</sup> <sub>0</sub>	28.3 <sup>+0.05</sup> <sub>0</sub>	45	21.2	4.5				27.5
B							25.4	25	4.5	27.5

DESIGNED BY  
CHECKED BY  
APPROVED BY

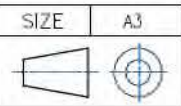


ALL PROPRIETARY RIGHTS IN THE SUBJECT MATTER HEREOF ARE RESERVED, AND NO PERMISSION IS GRANTED TO REPRODUCE THIS PRINT IN WHOLE OR IN PART, OR TO DISCLOSE ANY OF THE INFORMATION TO OTHERS.

WEIGHT 5.5kg  
SCALE NTS

14" SLEWING DRIVE

SYMBOL ISO  
ISO



SHEET 1/1  
THE TOLERANCE NOT MENTIONED IS REFERRED TO ISO 2768—L CASTING TOLERANCE ISO 8062—CT10

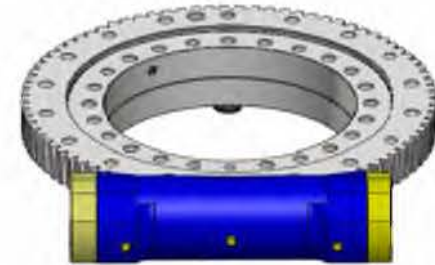
S14C-85(M)-R(C)

REV A

# SLEWING DRIVES PERFORMANCE DATA

**Model Code : S14C-85(M)-R(C)**

Slewing Drive Ratio	85:1
Rotating Output Rated Speed	-
Efficiency	43%
International Protection (IP)	55
Motor Temperature	-
Worm Drive Temperature	- 20°C to + 120°C
Traceability	CEDS
Torsion Stiffness	2,240Nm/mRad
Bending Stiffness	2,645Nm/mRad

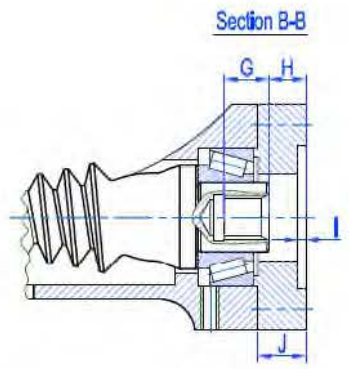
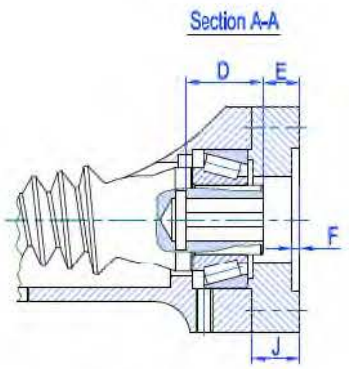
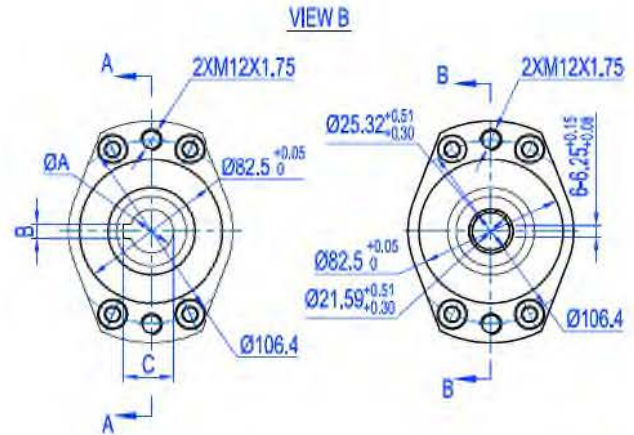
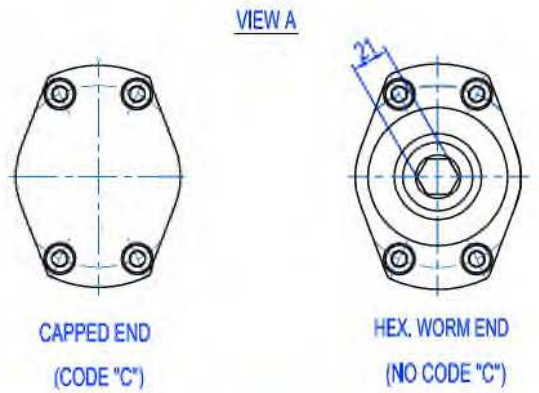
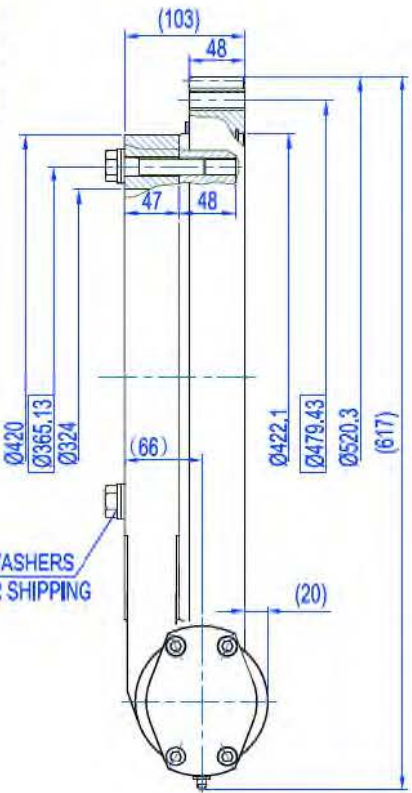
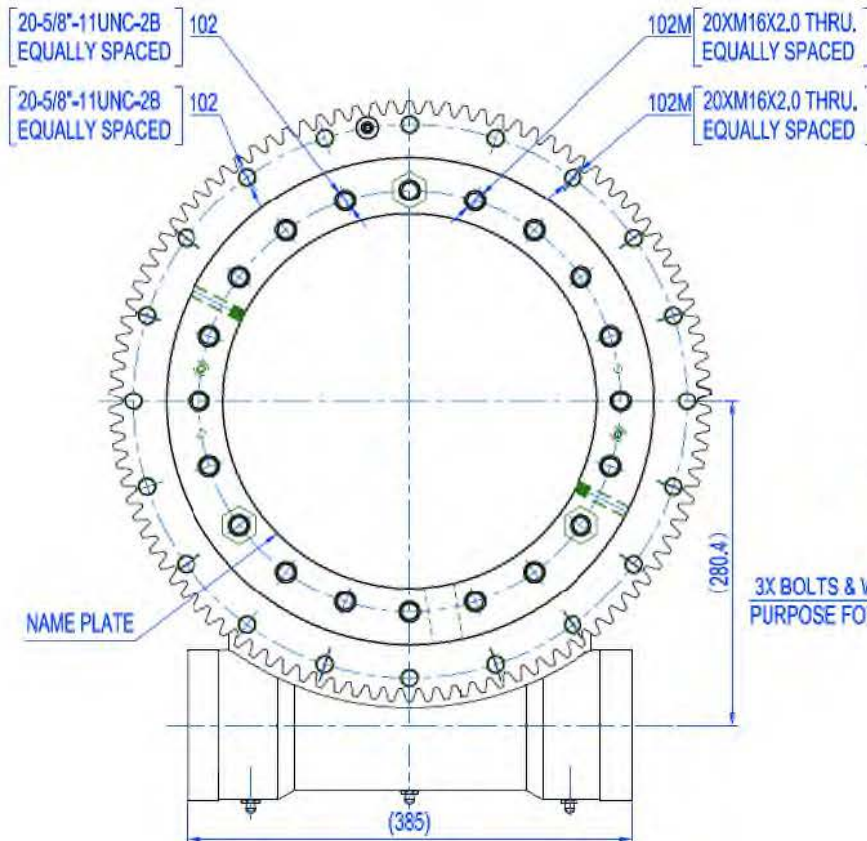


Slewing Drive Loading Data	HC Type				HB Type				HQ Type				HA Type			
Normal Output Torque	3,249	N·m	2,396	ft·lb	3,898	N·m	2,875	ft·lb	5,198	N·m	3,834	ft·lb	6,497	N·m	4,792	ft·lb
Max. Output Torque(3 sec.)	6,497	N·m	4,792	ft·lb	7,796	N·m	5,751	ft·lb	10,395	N·m	7,667	ft·lb	12,994	N·m	9,584	ft·lb
Backwards Holding Torque	48,000	N·m	35,405	ft·lb	48,000	N·m	35,405	ft·lb	48,000	N·m	35,405	ft·lb	48,000	N·m	35,405	ft·lb
Tilting Torque	67,800	N·m	50,009	ft·lb	67,800	N·m	50,009	ft·lb	67,800	N·m	50,009	ft·lb	67,800	N·m	50,009	ft·lb
Static Radial Rating	222.00	KN	49,906	lb	222.00	KN	49,906	lb	222.00	KN	49,906	lb	222.00	KN	49,906	lb
Static Axial Rating	555.00	kN	124,764	lb	555.00	kN	124,764	lb	555.00	kN	124,764	lb	555.00	kN	124,764	lb
Dynamic Radial Rating	116.55	KN	26,200	lb	116.55	KN	26,200	lb	116.55	KN	26,200	lb	116.55	KN	26,200	lb
Dynamic Axial Rating	133.20	kN	29,943	lb	133.20	kN	29,943	lb	133.20	kN	29,943	lb	133.20	kN	29,943	lb



DESIGNED BY						
CHECKED BY						
APPROVED BY						
<small>ALL PROPRIETARY RIGHTS IN THE SUBJECT MATTER HEREOF ARE RESERVED, AND NO PERMISSION IS GRANTED TO REPRODUCE THIS PRINT IN WHOLE OR IN PART, OR TO DISCLOSE ANY OF THE INFORMATION TO OTHERS.</small>				WEIGHT	SCALE	<b>14" SLEWING DRIVE</b>
					NTS	
SYMBOLS ISO	SIZE	A4	SHEET	1/1	<b>S14C-85(M)-R(C)</b>	REV
						<b>A</b>





TYPE: 12M,20M,25M

TYPE: B

UNIT: mm

TYPE	A	B	C	D	E	F	G	H	I	J
12M	12 <sup>+0.05</sup> <sub>0</sub>	4 <sup>+0.05</sup> <sub>0</sub>	13.8 <sup>+0.1</sup> <sub>0</sub>	23	-3	4.5				27.5
20M	20 <sup>+0.05</sup> <sub>0</sub>	6 <sup>+0.05</sup> <sub>0</sub>	22.8 <sup>+0.1</sup> <sub>0</sub>	30	12	4.5				27.5
25M	25 <sup>+0.05</sup> <sub>0</sub>	8 <sup>+0.05</sup> <sub>0</sub>	28.3 <sup>+0.1</sup> <sub>0</sub>	45	21.2	4.5				27.5
B							28.8	24.8	4.5	27.5

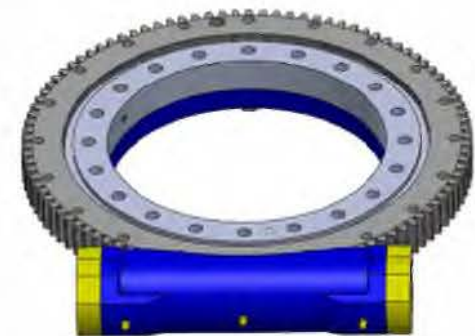
DESIGNED BY							
CHECKED BY							
APPROVED BY							
ALL PROPRIETARY RIGHTS IN THE SUBJECT MATTER HEREOF ARE RESERVED, AND NO PERMISSION IS GRANTED TO REPRODUCE THIS PRINT IN WHOLE OR IN PART, OR TO DISCLOSE ANY OF THE INFORMATION TO OTHERS.					WEIGHT	SCALE	<b>17" SLEWING DRIVE</b>
					93Kg	NTS	
SYMBOL ISO	SIZE	A3	SHEET	1/1	<b>S17C-102(M)-R(C)</b>	REV	
						A	

THE TOLERANCE NOT MENTIONED IS REFERRED TO ISO 2768--L CASTING TOLERANCE ISO 8062--CT10

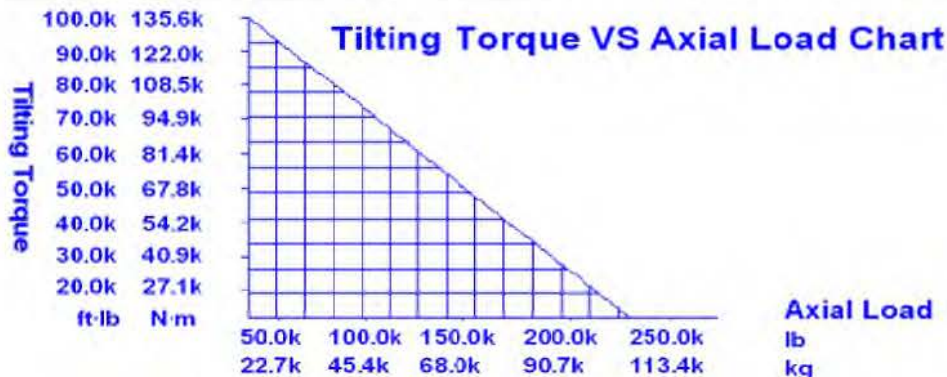
# SLEWING DRIVES PERFORMANCE DATA

**Model Code : S17C-102(M)-R(C)**

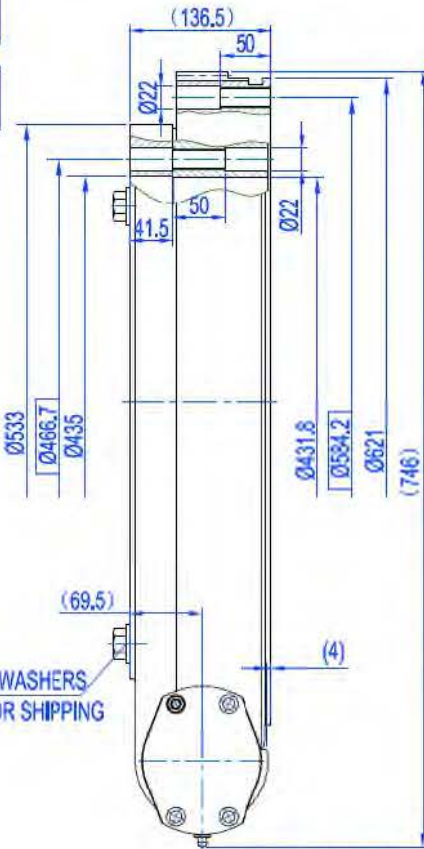
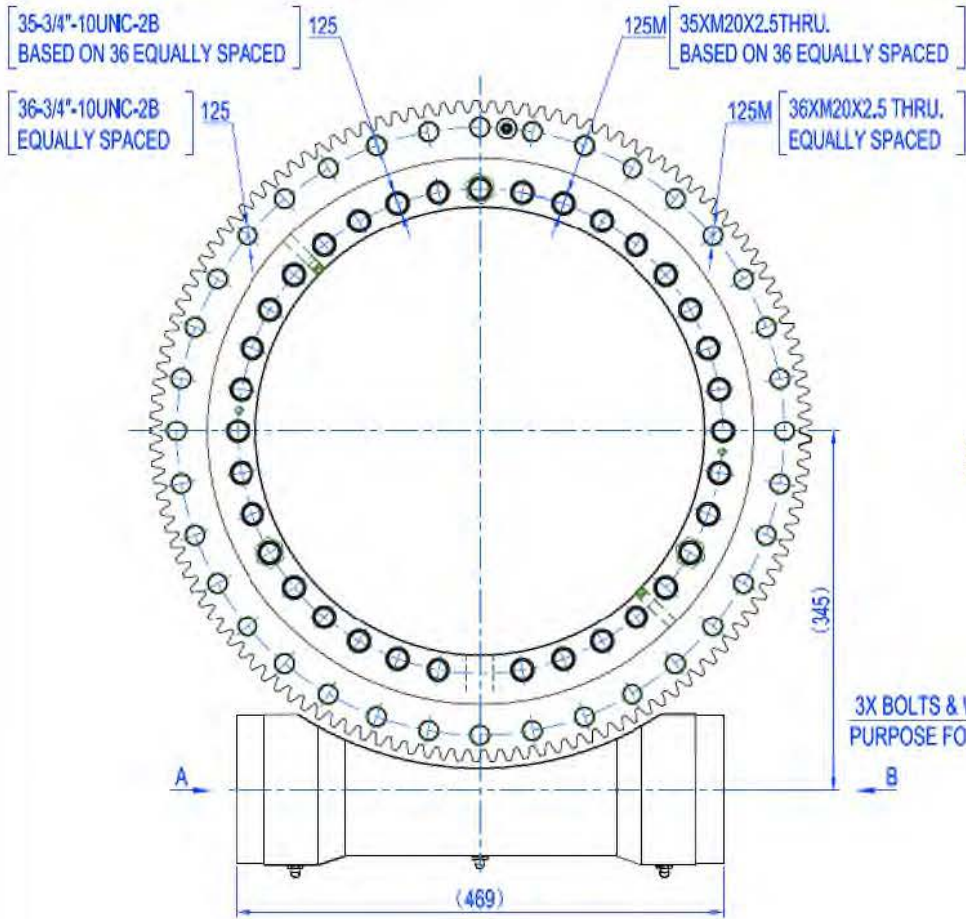
Slewing Drive Ratio	102:1
Rotating Output Rated Speed	-
Efficiency	43%
International Protection (IP)	55
Motor Temperature	-
Worm Drive Temperature	- 20°C to +120°C
Traceability	CEDS
Torsion Stiffness	2,734Nm/mRad
Bending Stiffness	3,212Nm/mRad



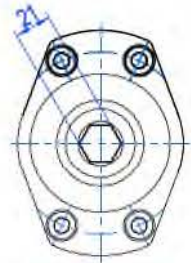
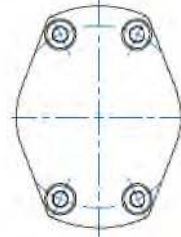
Slewing Drive Loading Data	HC Type				HB Type				HQ Type				HA Type			
Normal Output Torque	4,680	N·m	3,452	ft·lb	5,616	N·m	4,142	ft·lb	7,488	N·m	5,523	ft·lb	9,360	N·m	6,904	ft·lb
Max. Output Torque(3 sec.)	9,360	N·m	6,904	ft·lb	11,232	N·m	8,285	ft·lb	14,976	N·m	11,046	ft·lb	18,720	N·m	13,808	ft·lb
Backwards Holding Torque	72,290	N·m	53,321	ft·lb	72,290	N·m	53,321	ft·lb	72,290	N·m	53,321	ft·lb	72,290	N·m	53,321	ft·lb
Tilting Torque	135,600	N·m	100,019	ft·lb	135,600	N·m	100,019	ft·lb	135,600	N·m	100,019	ft·lb	135,600	N·m	100,019	ft·lb
Static Radial Rating	390.72	KN	87,834	lb	390.72	KN	87,834	lb	390.72	KN	87,834	lb	390.72	KN	87,834	lb
Static Axial Rating	976.81	kN	219,587	lb	976.81	kN	219,587	lb	976.81	kN	219,587	lb	976.81	kN	219,587	lb
Dynamic Radial Rating	205.13	KN	46,113	lb	205.13	KN	46,113	lb	205.13	KN	46,113	lb	205.13	KN	46,113	lb
Dynamic Axial Rating	234.43	kN	52,700	lb	234.43	kN	52,700	lb	234.43	kN	52,700	lb	234.43	kN	52,700	lb



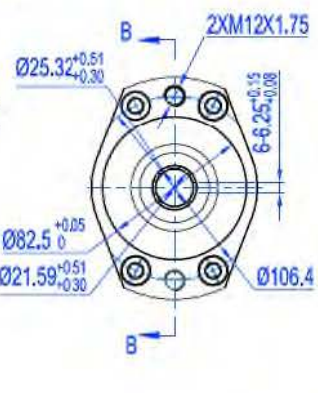
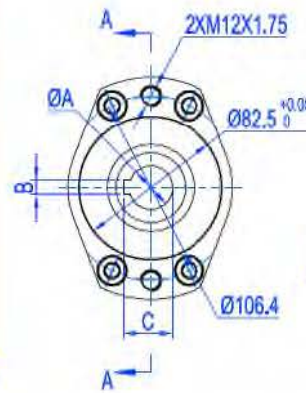
DESIGNED BY						<b>17" SLEWING DRIVE</b>
CHECKED BY						
APPROVED BY						
ALL PROPRIETARY RIGHTS IN THE SUBJECT MATTER HEREOF ARE RESERVED, AND NO PERMISSION IS GRANTED TO REPRODUCE THIS PRINT IN WHOLE OR IN PART, OR TO DISCLOSE ANY OF THE INFORMATION TO OTHERS.					WEIGHT	SCALE
						NTS
SYMBOL	SIZE	A4	SHEET	1/1	<b>S17C-102(M)-R(C)</b>	
ISO						



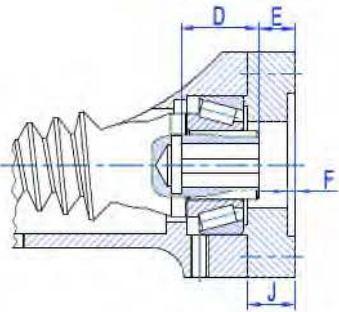
VIEW A



VIEW B

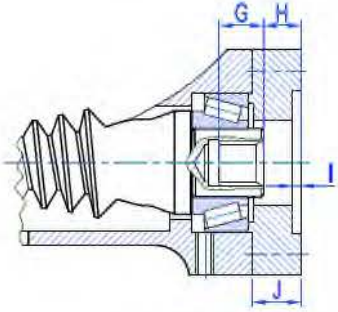


Section A-A



TYPE: 12M,20M,25M

Section B-B



TYPE: B

UNIT: mm

TYPE	A	B	C	D	E	F	G	H	I	J
12M	12 <sup>+0.05</sup> <sub>-0.05</sub>	4 <sup>+0.05</sup> <sub>-0.05</sub>	13.8 <sup>+0.1</sup> <sub>-0.1</sub>	23	-3	4.5				27
20M	20 <sup>+0.05</sup> <sub>-0.05</sub>	6 <sup>+0.05</sup> <sub>-0.05</sub>	22.8 <sup>+0.1</sup> <sub>-0.1</sub>	30	12	4.5				27
25M	25 <sup>+0.05</sup> <sub>-0.05</sub>	8 <sup>+0.05</sup> <sub>-0.05</sub>	28.3 <sup>+0.1</sup> <sub>-0.1</sub>	45	21.2	4.5				27
B							28.6	18.6	4.5	27

DESIGNED BY

CHECKED BY

APPROVED BY



ALL PROPRIETARY RIGHTS IN THE SUBJECT MATTER  
HEREOF ARE RESERVED, AND NO PERMISSION IS GRANTED  
TO REPRODUCE THIS PRINT IN WHOLE OR IN PART, OR TO  
DISCLOSE ANY OF THE INFORMATION TO OTHERS.

WEIGHT  
146kg

SCALE  
NTS

21" SLEWING DRIVE

SYMBOL ISO

SIZE A3

SHEET 1/1

THE TOLERANCE NOT MENTIONED  
IS REFERRED TO ISO  
2768-ML CASTING TOLERANCE  
ISO 8062-CT10

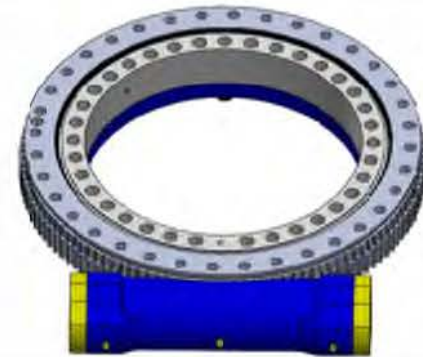
S21C-125(M)-R(C)

REV  
A

## SLEWING DRIVES PERFORMANCE DATA

Model Code : S21C-125(M)-R( C )

Slewing Drive Ratio	125:1
Rotating Output Rated Speed	-
Efficiency	43%
International Protection (IP)	55
Motor Temperature	-
Worm Drive Temperature	- 20°C to +120°C
Traceability	CEDS
Torsion Stiffness	3,363Nm/mRad
Bending Stiffness	3,967Nm/mRad



Slewing Drive Loading Data	HC Type				HB Type				HQ Type				HA Type			
Normal Output Torque	8,005	N·m	5,904	ft·lb	9,606	N·m	7,085	ft·lb	12,808	N·m	9,447	ft·lb	16,010	N·m	11,809	ft·lb
Max. Output Torque(3 sec.)	16,010	N·m	11,809	ft·lb	19,212	N·m	14,171	ft·lb	25,616	N·m	18,894	ft·lb	32,020	N·m	23,618	ft·lb
Backwards Holding Torque	105,780	N·m	78,023	ft·lb	105,780	N·m	78,023	ft·lb	105,780	N·m	78,023	ft·lb	105,780	N·m	78,023	ft·lb
Tilting Torque	203,400	N·m	150,028	ft·lb	203,400	N·m	150,028	ft·lb	203,400	N·m	150,028	ft·lb	203,400	N·m	150,028	ft·lb
Static Radial Rating	639.38	KN	143,733	lb	639.38	KN	143,733	lb	639.38	KN	143,733	lb	639.38	KN	143,733	lb
Static Axial Rating	1,598.46	kN	359,332	lb	1,598.46	kN	359,332	lb	1,598.46	kN	359,332	lb	1,598.46	kN	359,332	lb
Dynamic Radial Rating	335.67	KN	75,459	lb	335.67	KN	75,459	lb	335.67	KN	75,459	lb	335.67	KN	75,459	lb
Dynamic Axial Rating	383.63	kN	86,240	lb	383.63	kN	86,240	lb	383.63	kN	86,240	lb	383.63	kN	86,240	lb



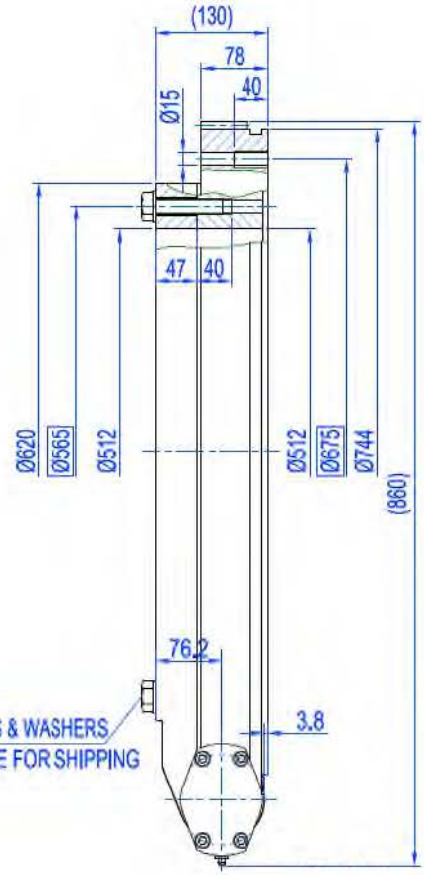
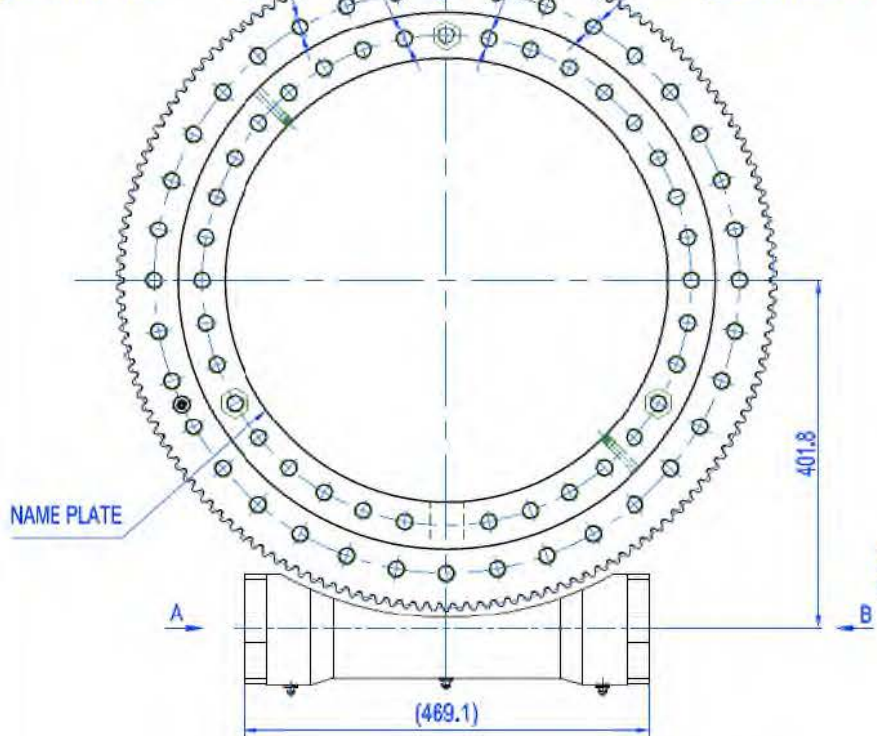
DESIGNED BY					<b>21" SLEWING DRIVE</b>
CHECKED BY					
APPROVED BY					
ALL PROPRIETARY RIGHTS IN THE SUBJECT MATTER HEREOF ARE RESERVED, AND NO PERMISSION IS GRANTED TO REPRODUCE THIS PRINT IN WHOLE OR IN PART, OR TO DISCLOSE ANY OF THE INFORMATION TO OTHERS.				WEIGHT	SCALE
					NTS
SYMBOL ISO	SIZE	A4	SHEET	1/1	<b>S21C-125(M)-R(C)</b>

[35-3/4"-10UNC-2B DEEP 40  
BASED ON 36 EQUALLY SPACED] 150

[35X20X2.5 DEEP 40  
BASED ON 36 EQUALLY SPACED] 150M

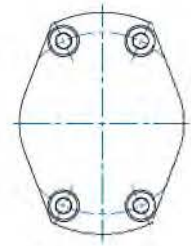
[36-3/4"-10UNC-2B DEEP 40  
EQUALLY SPACED] 150

[36X20X2.5 DEEP 40  
EQUALLY SPACED] 150M

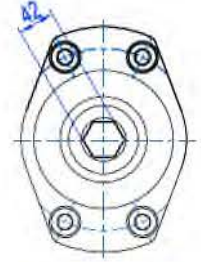


3 XBOLTS & WASHERS  
PURPOSE FOR SHIPPING

VIEW A

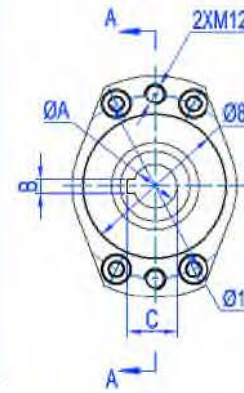


CAPPED END  
(CODE "C")

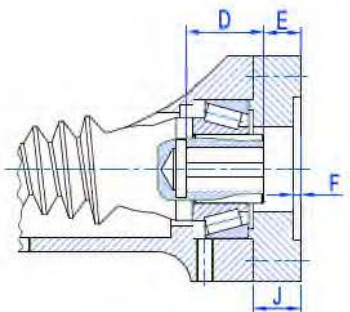


HEX. WORM END  
(NO CODE "C")

VIEW B

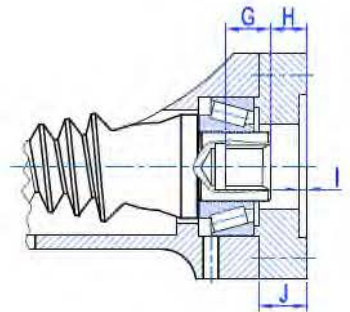


Section A-A



TYPE: 12M,20M,25M

Section B-B



TYPE: B

UNIT: mm

TYPE	A	B	C	D	E	F	G	H	I	J
12M	12 <sup>+0.05</sup> <sub>-0.05</sub>	4 <sup>+0.05</sup> <sub>-0.05</sub>	13.8 <sup>+0.1</sup> <sub>-0.1</sub>	23	-3	4.5				27.5
20M	20 <sup>+0.05</sup> <sub>-0.05</sub>	6 <sup>+0.05</sup> <sub>-0.05</sub>	22.8 <sup>+0.1</sup> <sub>-0.1</sub>	30	12	4.5				27.5
25M	25 <sup>+0.05</sup> <sub>-0.05</sub>	8 <sup>+0.05</sup> <sub>-0.05</sub>	28.5 <sup>+0.1</sup> <sub>-0.1</sub>	45	21.2	4.5				27.5
B							25.4	25	4.5	27.5

DESIGNED BY \_\_\_\_\_  
 CHECKED BY \_\_\_\_\_  
 APPROVED BY \_\_\_\_\_

ALL PROPRIETARY RIGHTS IN THE SUBJECT MATTER  
 HEREOF ARE RESERVED, AND NO PERMISSION IS  
 GRANTED TO REPRODUCE THIS PRINT IN WHOLE OR  
 IN PART, OR TO DISCLOSE ANY OF THE INFORMATION  
 TO OTHERS.

WEIGHT 220Kg  
 SCALE NTS



25" SLEWING DRIVE

SYMBOL ISO THE TOLERANCE NOT MENTIONED IS REFERRED TO ISO 2768-M CASTING TOLERANCE ISO 8062-CT10

S25B-150(M)-R(C)

REV A

# SLEWING DRIVES PERFORMANCE DATA

Model Code : S25B-150(M)-R(C)

Slewing Drive Ratio	150:1
Rotating Output Rated Speed	—
Efficiency	43%
International Protection (IP)	55
Motor Temperature	—
Worm Drive Temperature	- 20°C to +120°C
Traceability	CEDS
Torsion Stiffness	4,003Nm/mRad
Bending Stiffness	4,722Nm/mRad



Slewing Drive Loading Data	HC Type				HB Type				HQ Type				HA Type			
Normal Output Torque	12,006	N·m	8,855	ft·lb	14,407	N·m	10,626	ft·lb	19,209	N·m	14,168	ft·lb	24,011	N·m	17,711	ft·lb
Max. Output Torque(3 sec.)	21,498	N·m	15,857	ft·lb	25,797	N·m	19,028	ft·lb	34,396	N·m	25,370	ft·lb	42,995	N·m	31,713	ft·lb
Backwards Holding Torque	136,100	N·m	100,387	ft·lb	136,100	N·m	100,387	ft·lb	136,100	N·m	100,387	ft·lb	136,100	N·m	100,387	ft·lb
Tilting Torque	271,164	N·m	200,011	ft·lb	271,164	N·m	200,011	ft·lb	271,164	N·m	200,011	ft·lb	271,164	N·m	200,011	ft·lb
Static Radial Rating	944.00	kN	212,211	lb	944.00	kN	212,211	lb	944.00	kN	212,211	lb	944.00	kN	212,211	lb
Static Axial Rating	2,360.00	kN	530,528	lb	2,360.00	kN	530,528	lb	2,360.00	kN	530,528	lb	2,360.00	kN	530,528	lb
Dynamic Radial Rating	472.00	kN	106,106	lb	472.00	kN	106,106	lb	472.00	kN	106,106	lb	472.00	kN	106,106	lb
Dynamic Axial Rating	590.00	kN	132,632	lb	590.00	kN	132,632	lb	590.00	kN	132,632	lb	590.00	kN	132,632	lb



DESIGNED BY					
CHECKED BY					
APPROVED BY					
<small>ALL PROPRIETARY RIGHTS IN THE SUBJECT MATTER HEREOF ARE RESERVED, AND NO PERMISSION IS GRANTED TO REPRODUCE THIS PRINT IN WHOLE OR IN PART, OR TO DISCLOSE ANY OF THE INFORMATION TO OTHERS.</small>				WEIGHT	SCALE
				220kg	NTS
SYMBOLE ISO		SIZE	A4	<b>25" SLEWING DRIVE</b>	
				<b>S25B-150(M)-R(C)</b>	
				REV <b>A</b>	