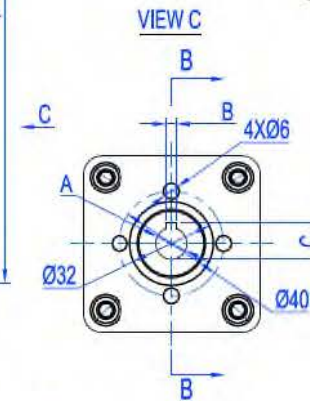
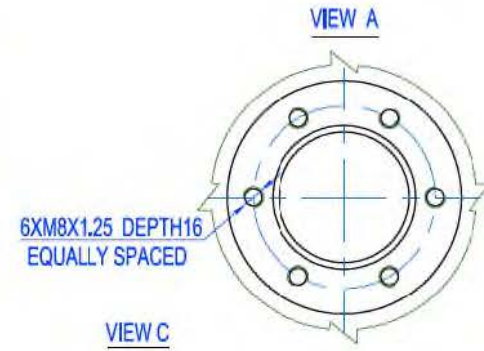
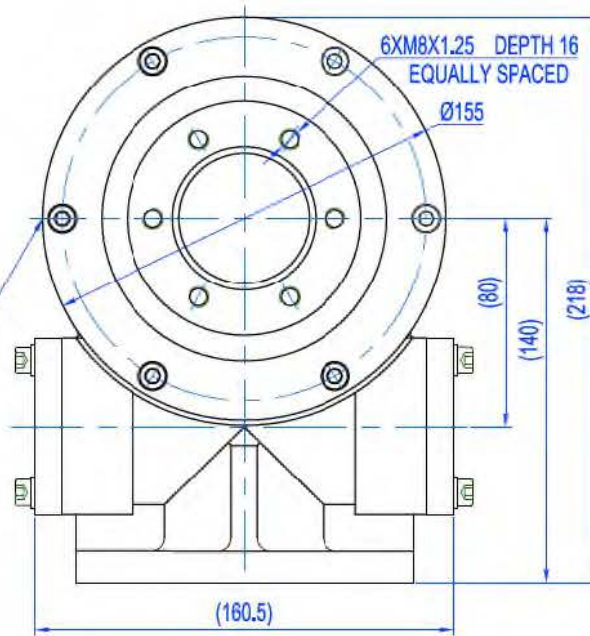
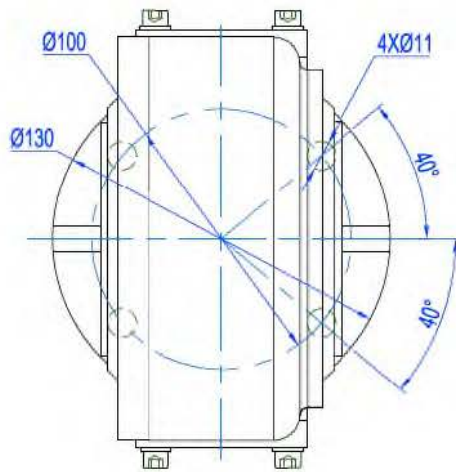
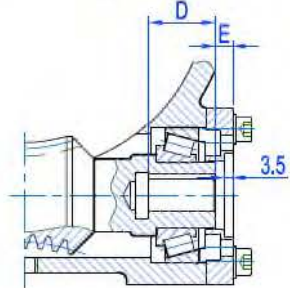


NAME PLATE



Section B-B



UNIT: mm

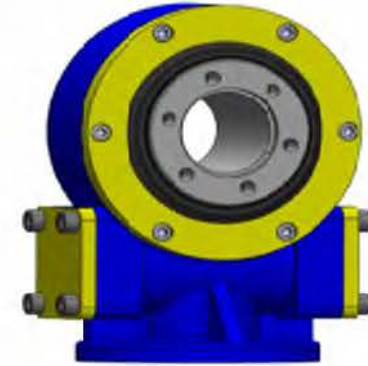
TYPE	A	B	C	D	E
12M	12 <sup>+0.05</sup> <sub>-0.015</sub>	4 <sup>+0.06</sup> <sub>-0.02</sub>	13.8 <sup>+0.2</sup> <sub>0</sub>	25.5	8.75

DESIGNED BY							
CHECKED BY							
APPROVED BY							
ALL PROPRIETARY RIGHTS IN THE SUBJECT MATTER HEREOF ARE RESERVED, AND NO PERMISSION IS GRANTED TO REPRODUCE THIS PRINT IN WHOLE OR IN PART, OR TO DISCLOSE ANY OF THE INFORMATION TO OTHERS.					WEIGHT	SCALE	<b>3" SLEWING DRIVE</b>
						NTS	
SYMBOL	SIZE	A3	SHEET	1/1	<b>VE3B-62M-RC</b>	REV	
	ISO		THE TOLERANCE NOT MENTIONED IS REFERRED TO ISO 2768-M, CASTING TOLERANCE ISO 8062-CT10				<b>A</b>

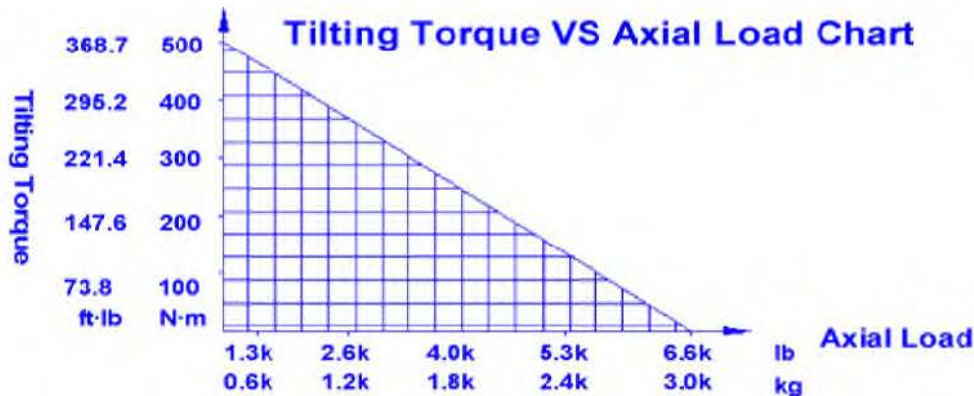
# SLEWING DRIVES PERFORMANCE DATA



**Model Code : VE3B-62M-RC**

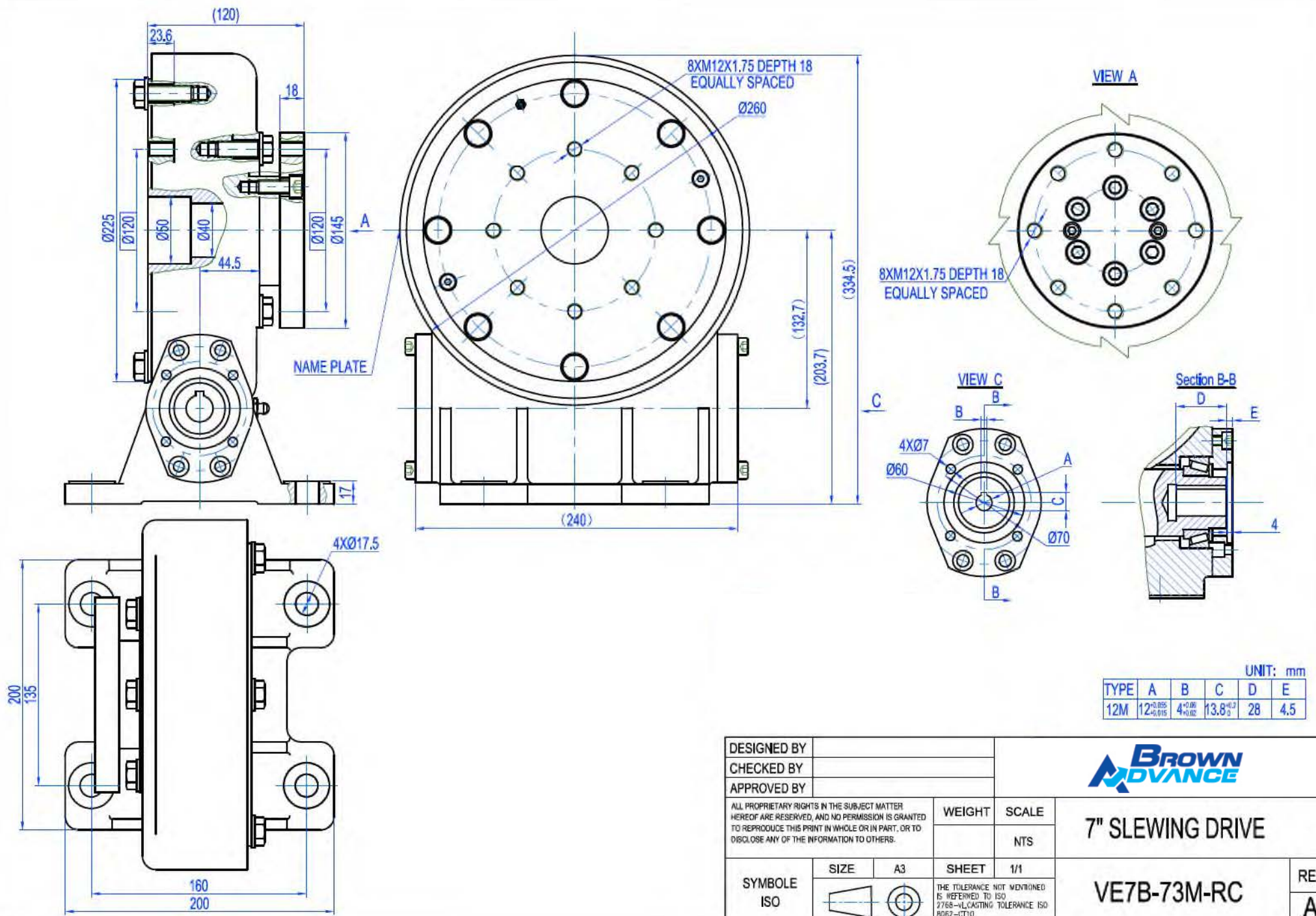
<b>Slewing Drive Ratio</b>	<b>62:1</b>
<b>Rotating Output Rated Speed</b>	<b>-</b>
<b>Efficiency</b>	<b>30%</b>
<b>International Protection (IP)</b>	<b>55</b>
<b>Motor Temperature</b>	<b>-</b>
<b>Worm Drive Temperature</b>	<b>- 20°C to +120°C</b>
<b>Traceability</b>	<b>CEDS</b>
<b>Torsion Stiffness</b>	<b>137 Nm/mRad</b>
<b>Bending Stiffness</b>	<b>190Nm/mRad</b>



Slewing Drive Loading Data	HC Type				HQ Type			
<b>Normal Output Torque</b>	201	N·m	148	ft·lb	599	N·m	442	ft·lb
<b>Max. Output Torque(3 sec.)</b>	402	N·m	297	ft·lb	899	N·m	663	ft·lb
<b>Backwards Holding Torque</b>	3,000	N·m	2,213	ft·lb	3,000	N·m	2,213	ft·lb
<b>Tilting Torque</b>	500	N·m	369	ft·lb	500	N·m	369	ft·lb
<b>Static Radial Rating</b>	16.60	kN	3,732	lb	16.60	kN	3,732	lb
<b>Static Axial Rating</b>	29.40	kN	6,609	lb	29.40	kN	6,609	lb
<b>Dynamic Radial Rating</b>	8.40	kN	1,888	lb	8.40	kN	1,888	lb
<b>Dynamic Axial Rating</b>	9.60	kN	2,158	lb	9.60	kN	2,158	lb



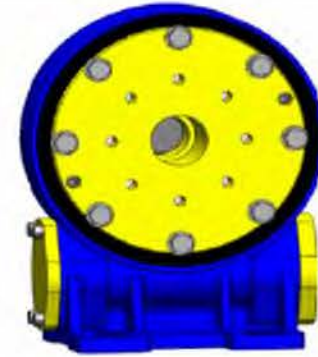
DESIGNED BY						
CHECKED BY						
APPROVED BY						
ALL PROPRIETARY RIGHTS IN THE SUBJECT MATTER HEREOF ARE RESERVED, AND NO PERMISSION IS GRANTED TO REPRODUCE THIS PRINT IN WHOLE OR IN PART, OR TO DISCLOSE ANY OF THE INFORMATION TO OTHERS.		WEIGHT	SCALE	<b>3" SLEWING DRIVE</b>		
			NTS			
SYMBOLS ISO	SIZE	A4	SHEET	1/1	<b>VE3B-62M-RC</b>	REV
						<b>A</b>



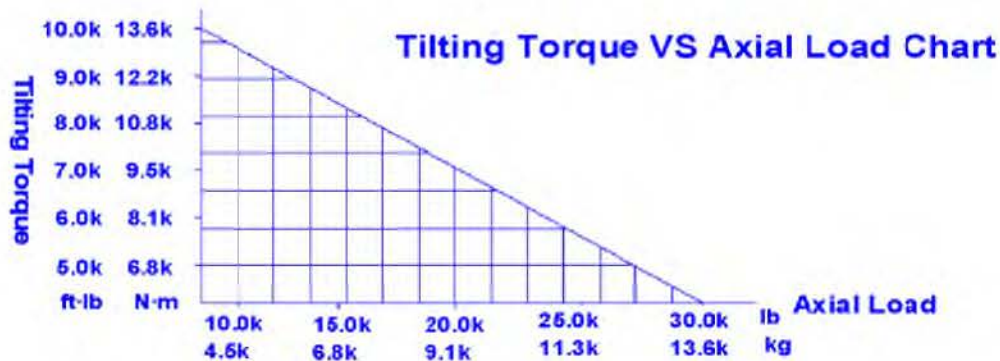
# SLEWING DRIVES PERFORMANCE DATA

**Model Code : VE7B-73(M)-R( C )**

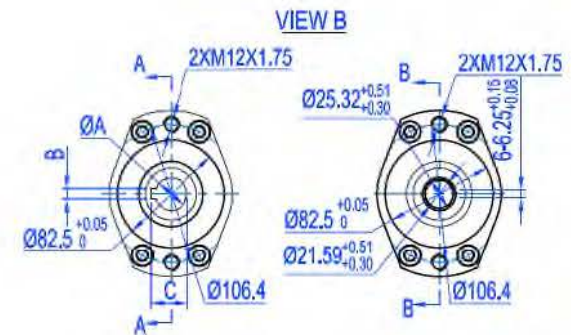
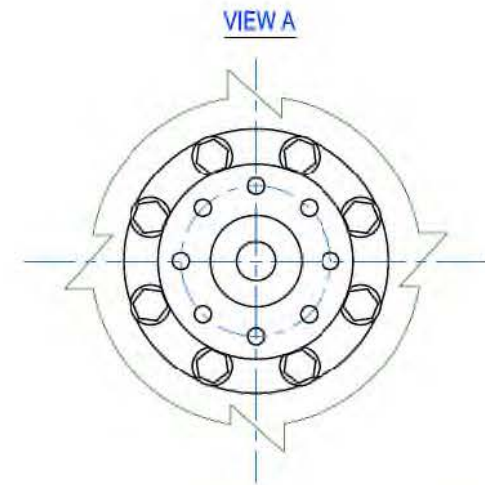
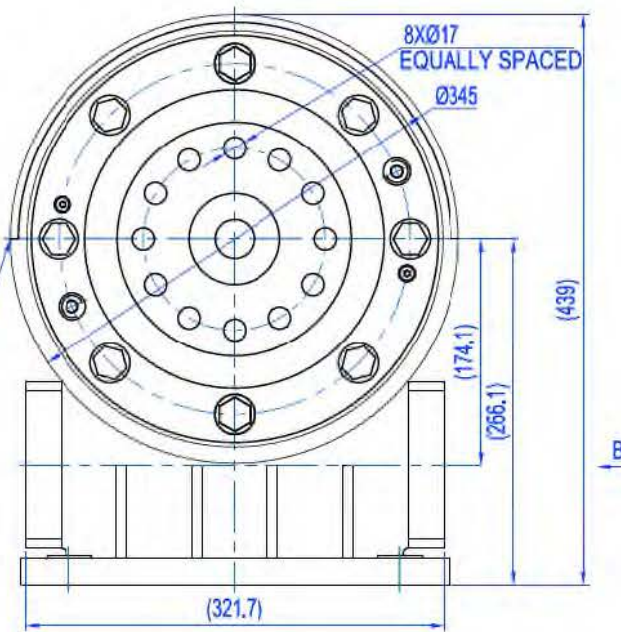
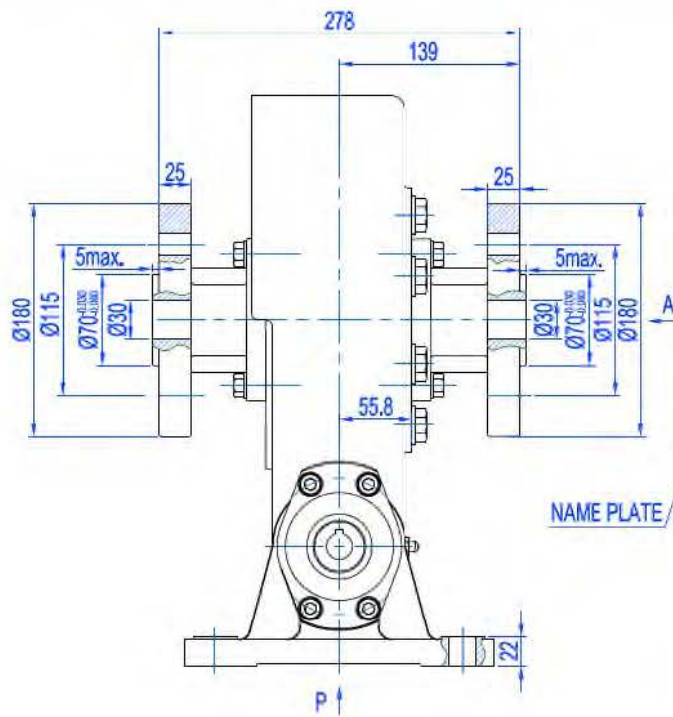
Slewing Drive Ratio	73:1
Rotating Output Rated Speed	-
Efficiency	30%
International Protection (IP)	55
Motor Temperature	-
Worm Drive Temperature	- 20°C to +120°C
Traceability	CEDS
Torsion Stiffness	762 Nm/mRad
Bending Stiffness	1083Nm/mRad



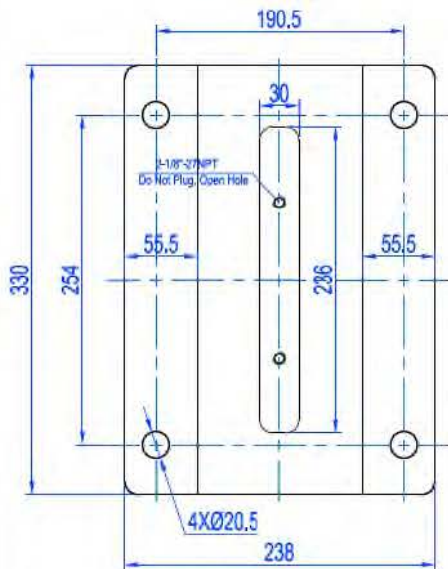
Slewing Drive Loading Data	HC Type				HB Type				HQ Type				HA Type			
Normal Output Torque	1,005	N·m	741	ft·lb	1,206	N·m	890	ft·lb	1,608	N·m	1,186	ft·lb	2,010	N·m	1,483	ft·lb
Max. Output Torque(3 sec.)	2,010	N·m	1,483	ft·lb	2,412	N·m	1,779	ft·lb	3,216	N·m	2,372	ft·lb	4,020	N·m	2,965	ft·lb
Backwards Holding Torque	10,338	N·m	7,625	ft·lb	10,338	N·m	7,625	ft·lb	10,338	N·m	7,625	ft·lb	10,338	N·m	7,625	ft·lb
Tilting Torque	13,556	N·m	9,999	ft·lb	13,556	N·m	9,999	ft·lb	13,556	N·m	9,999	ft·lb	13,556	N·m	9,999	ft·lb
Static Radial Rating	53.28	KN	11,977	lb	53.28	KN	11,977	lb	53.28	KN	11,977	lb	53.28	KN	11,977	lb
Static Axial Rating	133.20	kN	29,943	lb	133.20	kN	29,943	lb	133.20	kN	29,943	lb	133.20	kN	29,943	lb
Dynamic Radial Rating	27.91	KN	6,274	lb	27.91	KN	6,274	lb	27.91	KN	6,274	lb	27.91	KN	6,274	lb
Dynamic Axial Rating	31.90	kN	7,171	lb	31.90	kN	7,171	lb	31.90	kN	7,171	lb	31.90	kN	7,171	lb



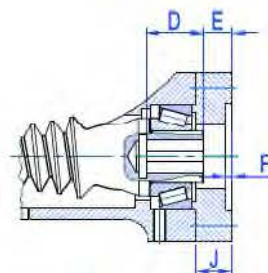
DESIGNED BY					
CHECKED BY					
APPROVED BY					
<small>ALL PROPRIETARY RIGHTS IN THE SUBJECT MATTER HEREOF ARE RESERVED, AND NO PERMISSION IS GRANTED TO REPRODUCE THIS PRINT IN WHOLE OR IN PART, OR TO DISCLOSE ANY OF THE INFORMATION TO OTHERS.</small>			WEIGHT	SCALE	<b>7" SLEWING DRIVE</b>
				NTS	
SYMOLE ISO	SIZE	A4	SHEET	1/1	<b>VE7B-73M-RC</b>



VIEW P

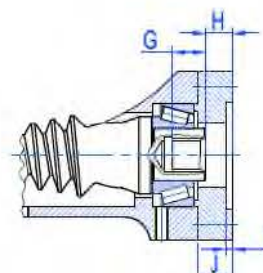


Section A-A



TYPE: 12M,20M,25M

Section B-B



TYPE: B

UNIT: mm

TYPE	A	B	C	D	E	F	G	H	I	J
12M	12 <sup>+0.02</sup> <sub>0</sub>	4 <sup>+0.02</sup> <sub>0</sub>	13.8 <sup>+0.02</sup> <sub>0</sub>	23	-3	4.5				27.5
20M	20 <sup>+0.02</sup> <sub>0</sub>	6 <sup>+0.02</sup> <sub>0</sub>	22.8 <sup>+0.02</sup> <sub>0</sub>	30	12	4.5				27.5
25M	25 <sup>+0.02</sup> <sub>0</sub>	8 <sup>+0.02</sup> <sub>0</sub>	28.3 <sup>+0.02</sup> <sub>0</sub>	45	21.2	4.5				27.5
B							25.4	21.2	4.5	27.5

DESIGNED BY  
 CHECKED BY  
 APPROVED BY

ALL PROPRIETARY RIGHTS IN THE SUBJECT MATTER  
 HEREOF ARE RESERVED, AND NO PERMISSION IS  
 GRANTED TO REPRODUCE THIS PRINT IN WHOLE OR  
 IN PART, OR TO DISCLOSE ANY OF THE INFORMATION  
 TO OTHERS.

SYMBOL ISO

WEIGHT  
81Kg

SCALE  
NTS

SHEET  
1/1

THE TOLERANCE NOT MENTIONED  
 IS REFERRED TO ISO  
 2768-M-CASTING TOLERANCE ISO  
 8062-CT10



9" SLEWING DRIVE

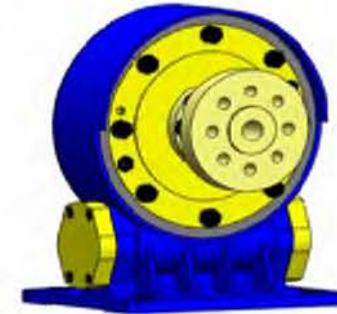
VE9C-61M-RC

REV  
A

## SLEWING DRIVES PERFORMANCE DATA

Model Code : VE9C-61M-RC

Slewing Drive Ratio	61:1
Rotating Output Rated Speed	-
Efficiency	43%
International Protection (IP)	55
Motor Temperature	-
Worm Drive Temperature	- 20°C to + 120°C
Traceability	CEDS
Torsion Stiffness	1,444Nm/mRad
Bending Stiffness	1,701Nm/mRad



Slewing Drive Loading Data	HC Type				HB Type				HQ Type				HA Type			
	N-m	ft-lb	N-m	ft-lb	N-m	ft-lb	N-m	ft-lb	N-m	ft-lb	N-m	ft-lb	N-m	ft-lb		
Normal Output Torque	2,240	1,652	2,688	1,983	3,584	2,644	4,480	3,304								
Max. Output Torque(3 sec.)	4,480	3,304	5,376	3,966	7,168	5,287	8,960	6,609								
Backwards Holding Torque	38,710	28,562	38,710	28,562	38,710	28,562	38,710	28,562								
Tilting Torque	33,900	25,005	33,900	25,005	33,900	25,005	33,900	25,005								
Static Radial Rating	134.98	30,344	134.98	30,344	134.98	30,344	134.98	30,344								
Static Axial Rating	337.44	75,867	337.44	75,867	337.44	75,867	337.44	75,867								
Dynamic Radial Rating	70.86	15,929	70.86	15,929	70.86	15,929	70.86	15,929								
Dynamic Axial Rating	80.99	18,207	80.99	18,207	80.99	18,207	80.99	18,207								



DESIGNED BY				<b>9" SLEWING DRIVE</b>	<b>VE9C-61M-RC</b>	REV <b>A</b>
CHECKED BY						
APPROVED BY						
ALL PROPRIETARY RIGHTS IN THE SUBJECT MATTER HEREOF ARE RESERVED, AND NO PERMISSION IS GRANTED TO REPRODUCE THIS PRINT IN WHOLE OR IN PART, OR TO DISCLOSE ANY OF THE INFORMATION TO OTHERS.		WEIGHT	SCALE			
		48Kg	NTS			
SYMBOLS ISO	SIZE A4	SHEET	1/1			